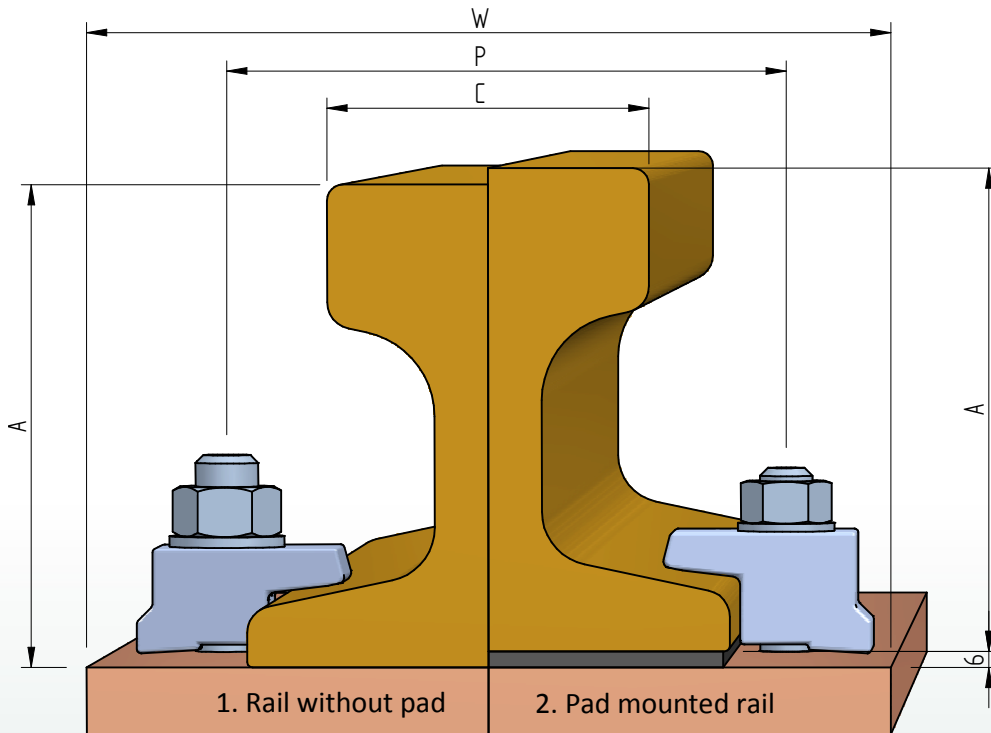


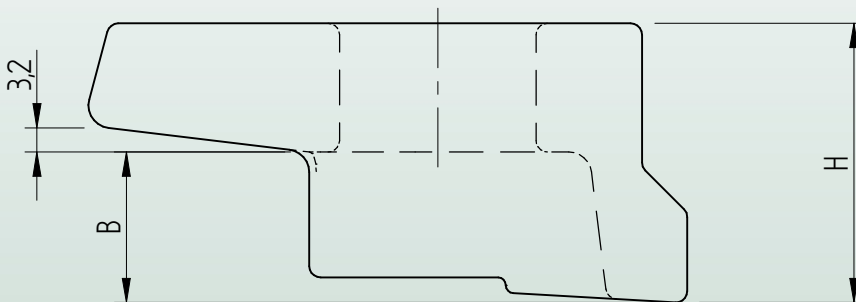
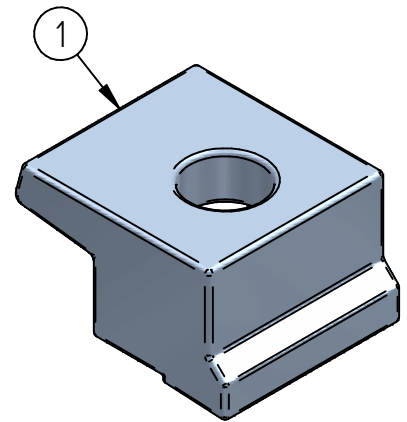
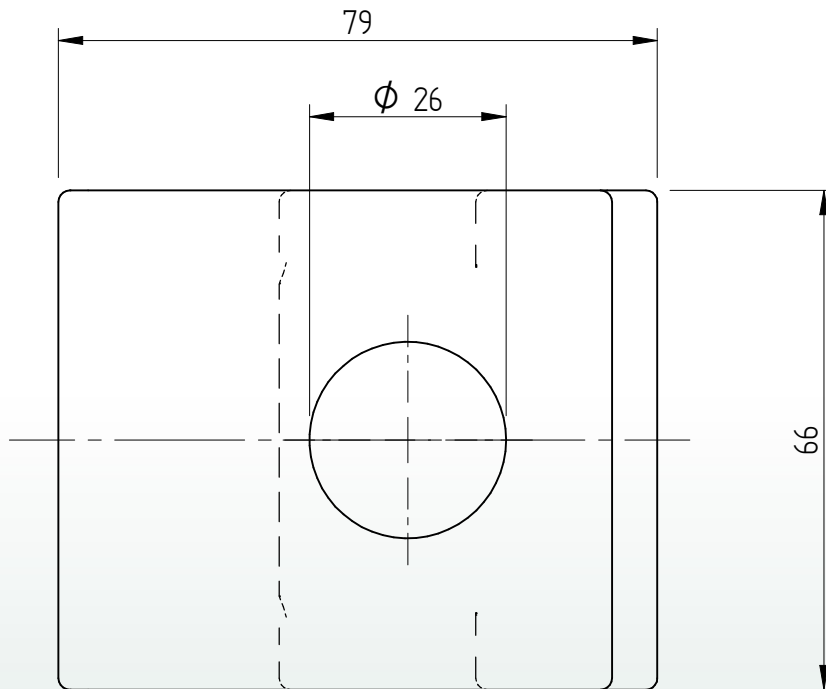
# Standard rail clip FM24



	Distance between stud M24			P	Rail base + 34	[mm]
	Minimum assembly width clips			W	Rail base + 100	[mm]
	Nominal width sole plate with anchorbolts			W	Rail base + 120	[mm]
	F [mm]	C [mm]	A [mm]	1. Rail without pad		2. Pad mounted rail
A120	220	120	105	FM24 H31		FM24 H37
A150	220	150	150	FM24 H34		FM24 H40
AS86	150	101,6	152,4	FM24 H34		FM24 H40
PRI85r	152,4	101,6	152,4	FM24 H34		FM24 H40
MRS87A	152,4	101,6	152,4	FM24 H34		FM24 H40
MRS125	180	120	180	FM24 H40		FM24 H46
BSC101	165	100	155	FM24 H34		FM24 H40
ISCR100	150	100	150	FM24 H31		FM24 H37
ISCR120	170	120	170	FM24 H34		FM24 H40
ISCR140	170	140	170	FM24 H40		FM24 H46
QU100	150	100	150	FM24 H31		FM24 H37
QU120	170	120	170	FM24 H34		FM24 H40

Specification	Grade 5.8 Stud bolt	Grade 8.8 Stud bolt	
Maximum side load	77 [kN]	125 [kN]	
Tightening torque	370 [Nm]	600 [Nm]	

# Standard rail clip FM24



Name	B	H	Mass
FM24 H31	14,0 [mm]	31,0 [mm]	0,713 [kg]
FM24 H34	17,0 [mm]	34,0 [mm]	0,743 [kg]
FM24 H37	20,0 [mm]	37,0 [mm]	0,772 [kg]
FM24 H40	23,0 [mm]	40,0 [mm]	0,799 [kg]
FM24 H43	26,0 [mm]	43,0 [mm]	0,820 [kg]
FM24 H46	29,0 [mm]	46,0 [mm]	0,852 [kg]

\* Standard preservation is hot dip galvanized  
Other preservation options in agreement

Item	Description	Material	Type / Dimensions	Norm	Comments
1	Railclip	S235JR*	FM24		