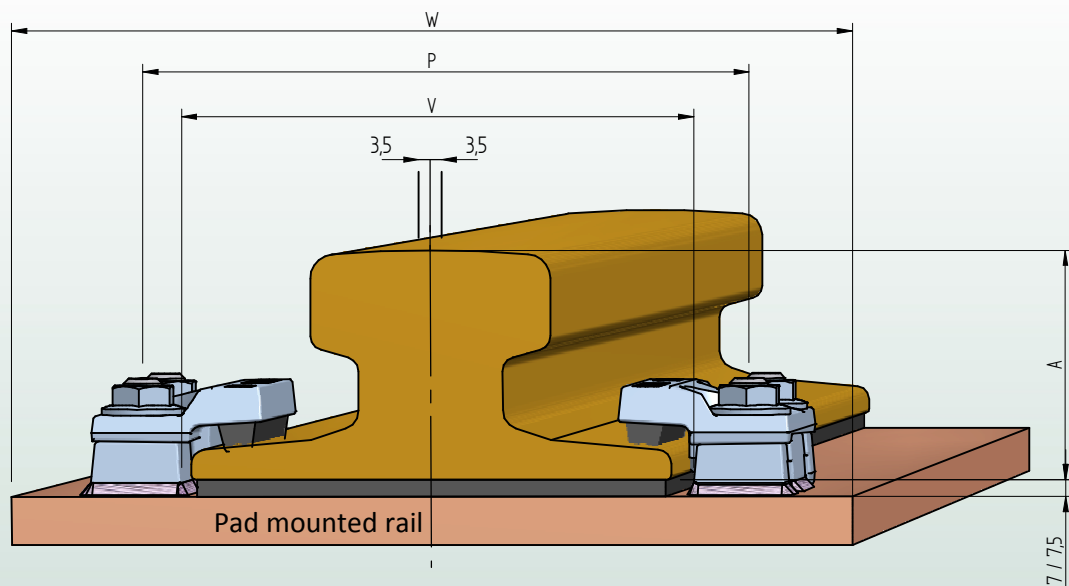


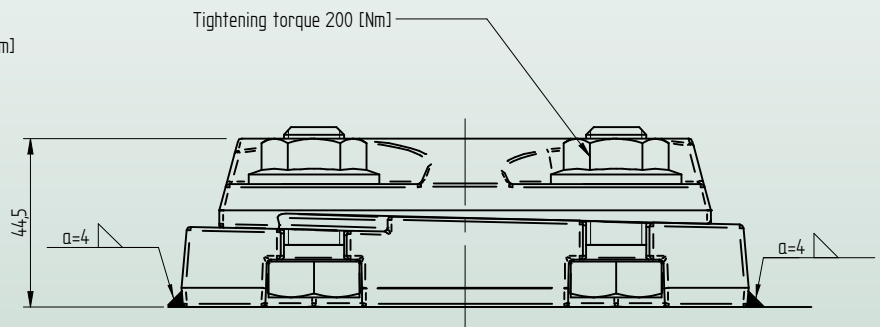
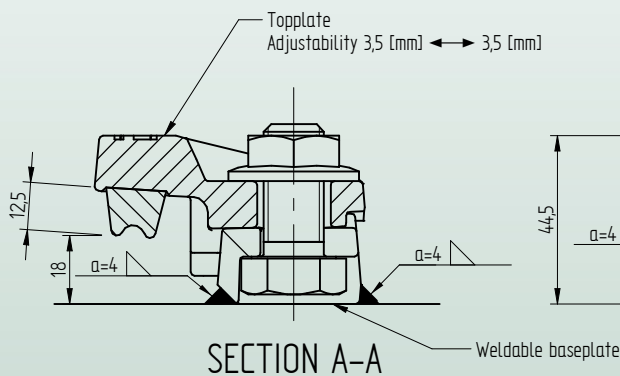
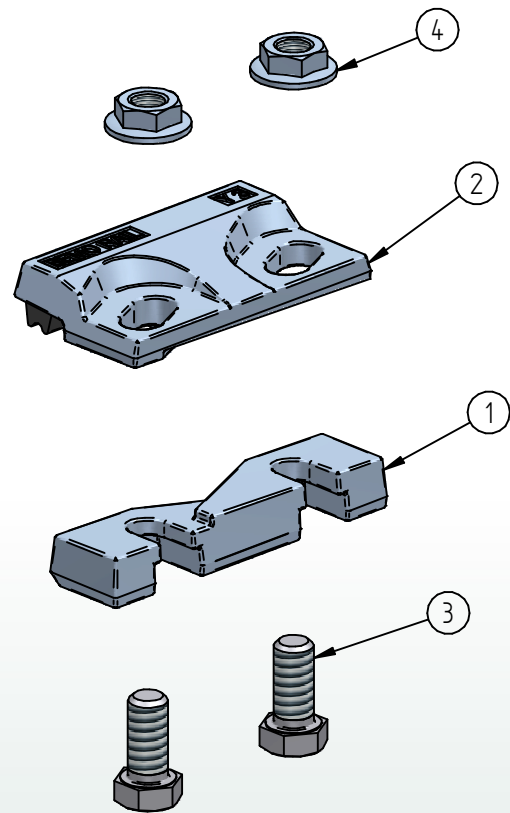
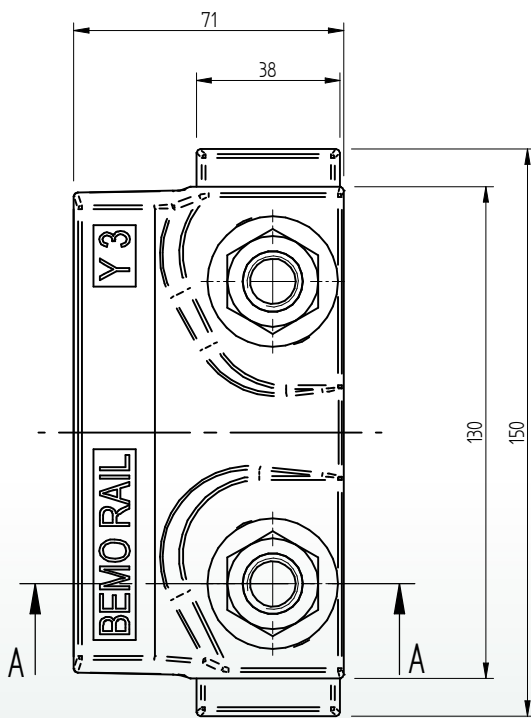
# Weldable trolley rail clip Y3



	Inside distance between baseplates			V	Rail base + 7	[mm]
	Distance between bolts M16			P	Rail base + 54,5	[mm]
	Minimum width sole plate			W	Rail base + 110	[mm]
	F [mm]	C [mm]	A [mm]	Pad mounted rail		
A65	175	65	75	Y3		
A75	200	75	85	Y3		
A100	200	100	95	Y3		

Specification	Grade 8.8 Hex. bolt	<b>Welding:</b> The entire base	Fillet welding $\nabla 4$	
Maximum side load	130 kN	<b>Fixing bolts:</b> Hexagon headscrew ISO4017 / DIN933		
Tightening torque	200 Nm	Steel grade 8.8 HDG		

# Weldable trolley rail clip Y3



\* Standard preservation is hot dip galvanized  
Other preservation options in agreement

4	Hexagon flange nut	Grade 8 H.D.G.	M16 ISO-metric	-	m = 0,044 [kg]
3	Hexagon head screw	8.8 HDG.	M16x35	DIN 933	m = 0,133 [kg]
2	Weldable adjustable rail clamp cover with rubber nose	S355J2*	Y3-cover		m = 0,904 [kg]
1	Weldable adjustable rail clamp base	S355J2 self coloured	Y3-base		m = 0,631 [kg]
Item	Description	Material	Type / Dimensions	Norm	Comments

**BEMO RAIL**

Debbemeerweg 59  
1749 DK Warmenhuizen  
The Netherlands

Tel.: +31 (0)226 425300  
E-mail: info@bemorail.com  
www.bemorail.com