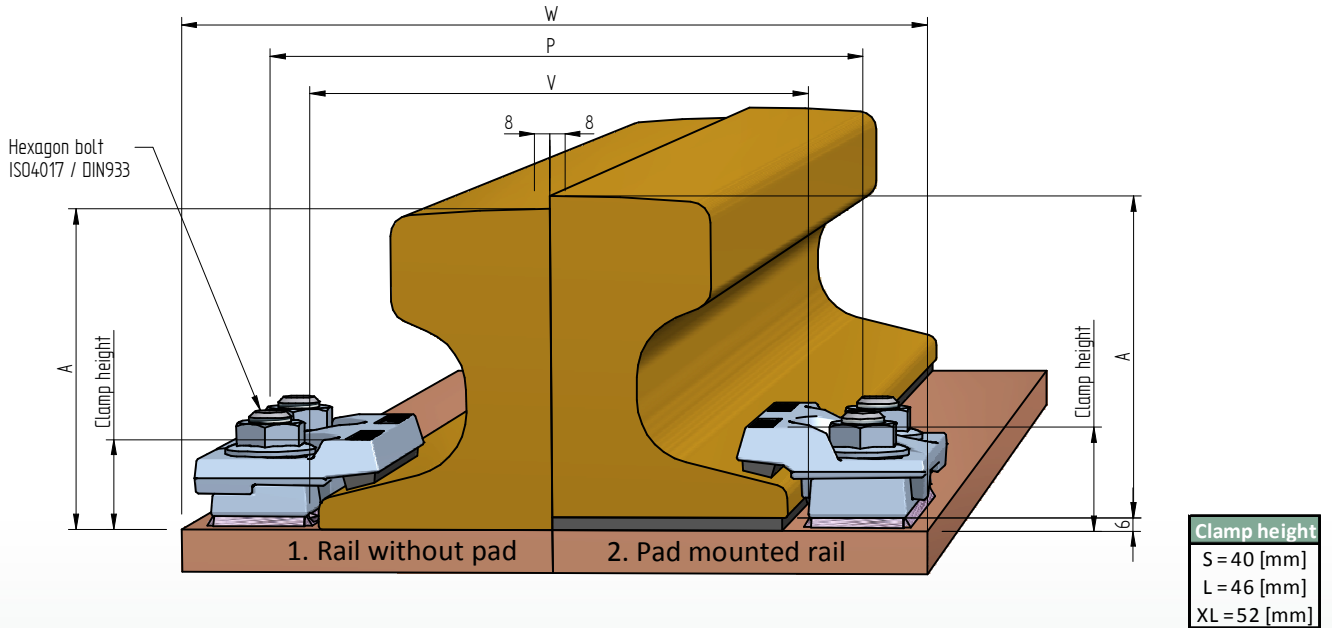


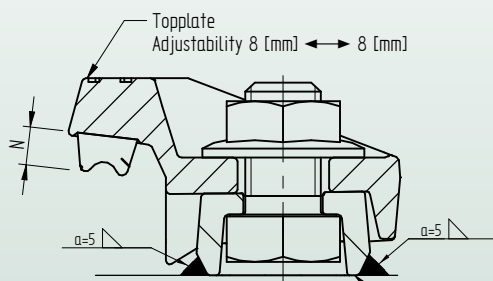
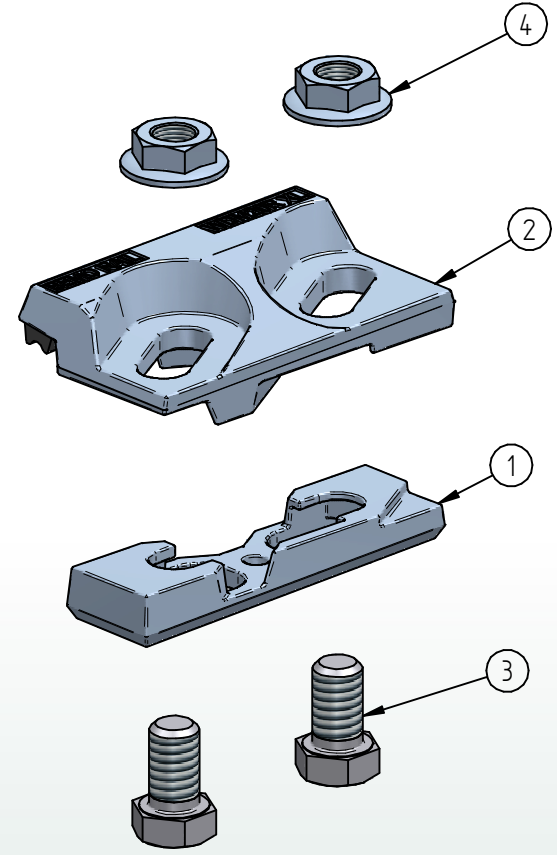
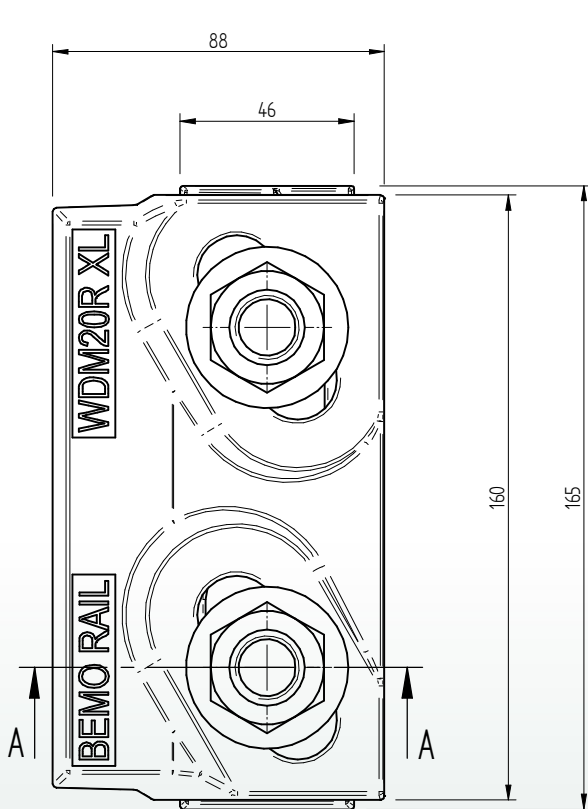
Adjustable weldable double rail clip WDM20R



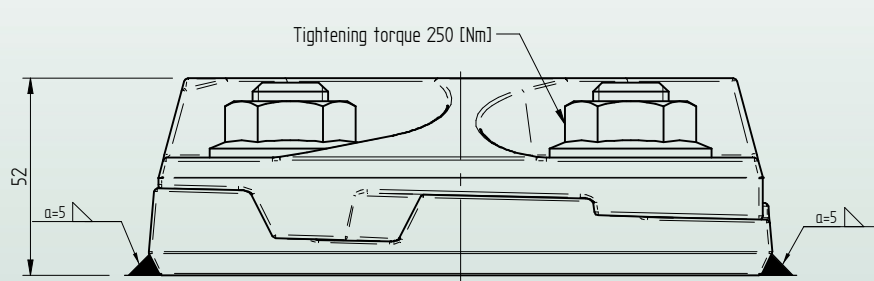
| | Inside distance between baseplates | | | V | Rail base + 16 | [mm] |
|--------------|------------------------------------|-----------|-----------|---------------------|-----------------|---------------------|
| | Distance between bolts M20 | | | P | Rail base + 62 | [mm] |
| | Minimum width sole plate | | | W | Rail base + 126 | [mm] |
| | F [mm] | C [mm] | A [mm] | 1. Rail without pad | | 2. Pad mounted rail |
| A75 | 200 | 75 | 85 | WDM20R S | | WDM20R L |
| A100 | 200 | 100 | 95 | WDM20R S | | WDM20R L |
| A120 | 220 | 120 | 105 | WDM20R S | | WDM20R L |
| A150 | 220 | 150 | 150 | WDM20R S | | WDM20R L |
| AS86 | 150 | 101,6 | 152,4 | WDM20R L | | WDM20R XL |
| MRS51 | 127 | 64 | 127 | WDM20R S | | WDM20R L |
| MRS67 | 132 | 76 | 146 | WDM20R S | | WDM20R L |
| MRS87A | 152,4 | 101,6 | 152,4 | WDM20R L | | WDM20R XL |
| PRI85r | 152,4 | 101,6 | 152,4 | WDM20R L | | WDM20R XL |
| MRS125 | 180 | 120 | 180 | WDM20R L | | WDM20R XL |
| BSC101 | 165 | 100 | 150 | WDM20R L | | WDM20R XL |
| ISCR70 | 120 | 70 | 120 | WDM20R S | | WDM20R L |
| ISCR80 | 130 | 80 | 130 | WDM20R S | | WDM20R L |
| ISCR100 | 150 | 100 | 150 | WDM20R S | | WDM20R L |
| ISCR120 | 170 | 120 | 170 | WDM20R S | | WDM20R L |
| ISCR140 | 170 | 140 | 170 | WDM20R L | | WDM20R XL |
| QU70 | 120 | 70 | 120 | WDM20R S | | WDM20R L |
| QU80 | 130 | 80 | 130 | WDM20R S | | WDM20R L |
| QU100 | 150 | 100 | 150 | WDM20R S | | WDM20R L |
| QU120 | 170 | 120 | 170 | WDM20R S | | WDM20R L |
| 49E1 (S49) | 125 | 67 | 149 | WDM20R S | | WDM20R L |
| S54 | 125 | 67 | 154 | WDM20R S | | WDM20R L |
| 46E3 (NP46) | 120 | 72 | 142 | WDM20R S | | WDM20R L |
| 50E2 (EB50T) | 140 | 67 | 151 | WDM20R S | | WDM20R L |
| EB63 | 140 | 72 | 151 | WDM20R S | | WDM20R L |
| 54E1 (UIC54) | 140 | 70 | 159 | WDM20R S | | WDM20R L |
| 60E1 (UIC60) | 150 | 72 | 172 | WDM20R S | | WDM20R L |

| | | | | |
|-------------------|------------------------|---------------------------------|------------------------------------|--|
| Specification | Grade 8.8 Hex. bolt | Welding: The entire base | Fillet welding $\nabla 5$ | |
| Maximum side load | 210 [kN] | Fixing bolts: | Hexagon headscrew ISO4017 / DIN933 | |
| Tightening torque | 250 [Nm] | | Steel grade 8.8 HDG | |

Adjustable weldable double rail clip WDM20R XL



SECTION A-A — Weldable baseplate



* Standard preservation is hot dip galvanized.
Other preservation options in agreement

| Name | N |
|---------------|-----------|
| WDM20R XL N10 | 10,0 [mm] |
| WDM20R XL N12 | 12,0 [mm] |
| WDM20R XL N14 | 14,0 [mm] |

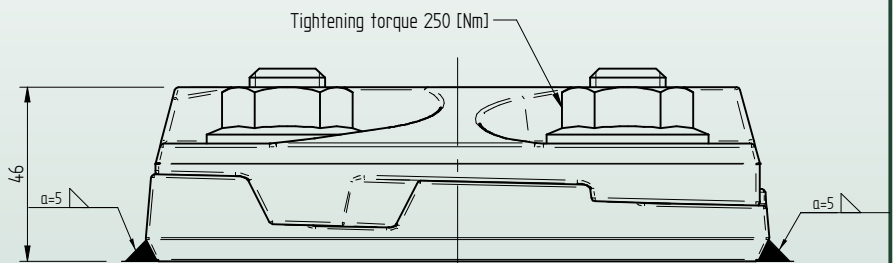
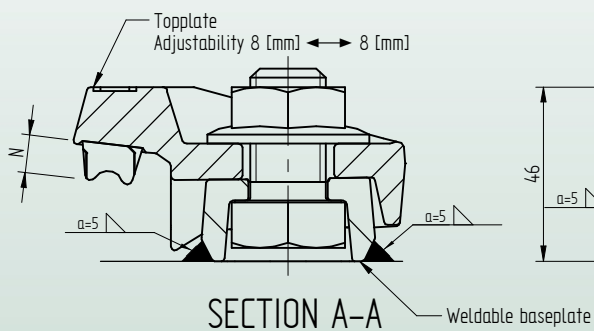
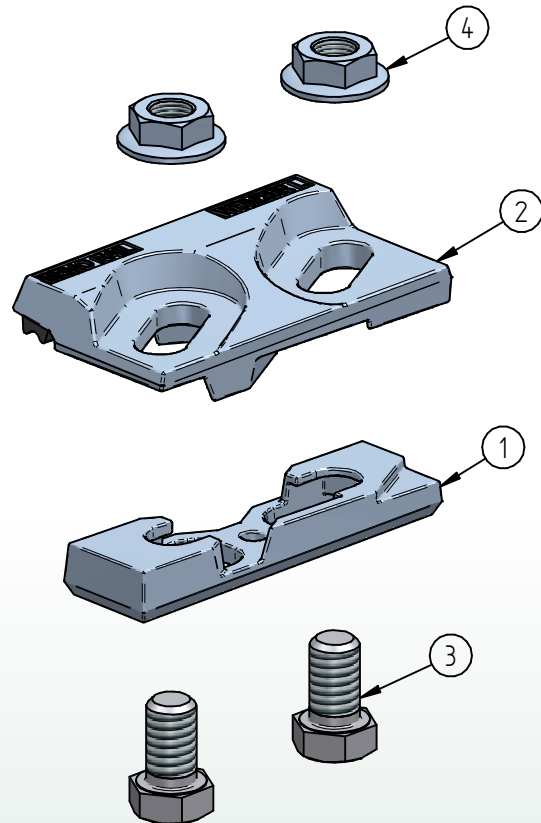
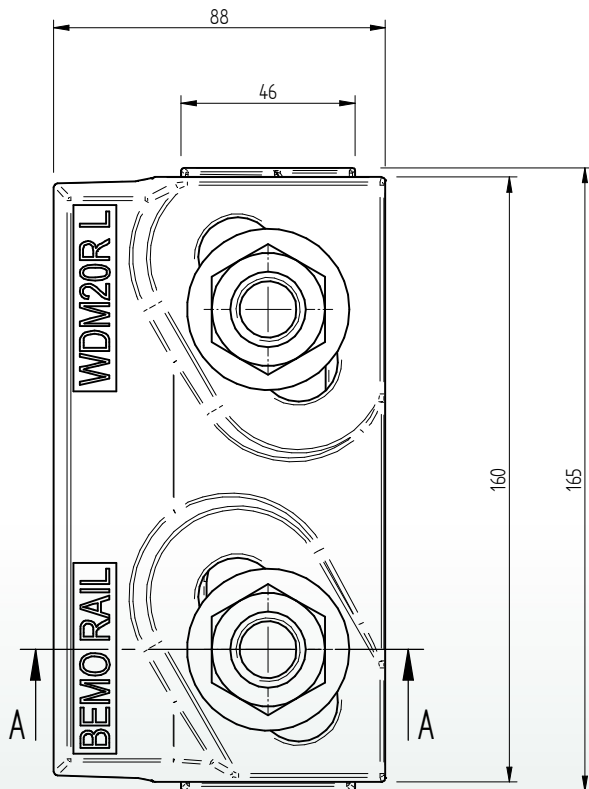
| | | | | | |
|------|--|----------------------|-------------------|---------|----------------|
| 4 | Low hexagon flange nut | Grade 8 HDG. | M20 ISO-metric | - | m = 0,082 [kg] |
| 3 | Hexagon head screw | 8.8 HDG. | M20x35 | DIN 933 | m = 0,161 [kg] |
| 2 | Weldable adjustable rail clamp cover XL with rubber nose | S355J2* | WDM20RC XL | | m = 1,512 [kg] |
| 1 | Weldable adjustable rail clamp base | S355J2 self coloured | WDM20RB | | m = 0,524 [kg] |
| Item | Description | Material | Type / Dimensions | Norm | Comments |



Debbemeerweg 59
1749 DK Warmenhuizen
The Netherlands

Tel.: +31 (0)226 425300
E-mail: info@bemorail.com
www.bemorail.com

Adjustable weldable double rail clip WDM20R L



| Name | N |
|--------------|-----------|
| WDM20R L N10 | 10,0 [mm] |
| WDM20R L N12 | 12,0 [mm] |
| WDM20R L N14 | 14,0 [mm] |

* Standard preservation is hot dip galvanized.
Other preservation options in agreement

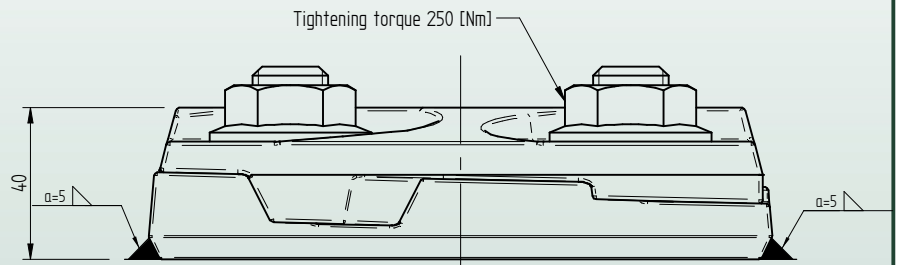
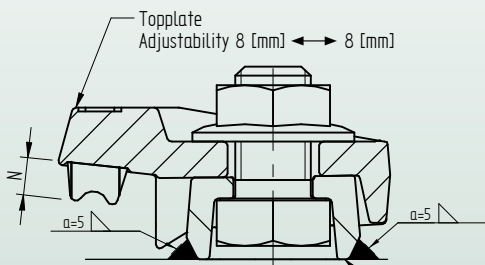
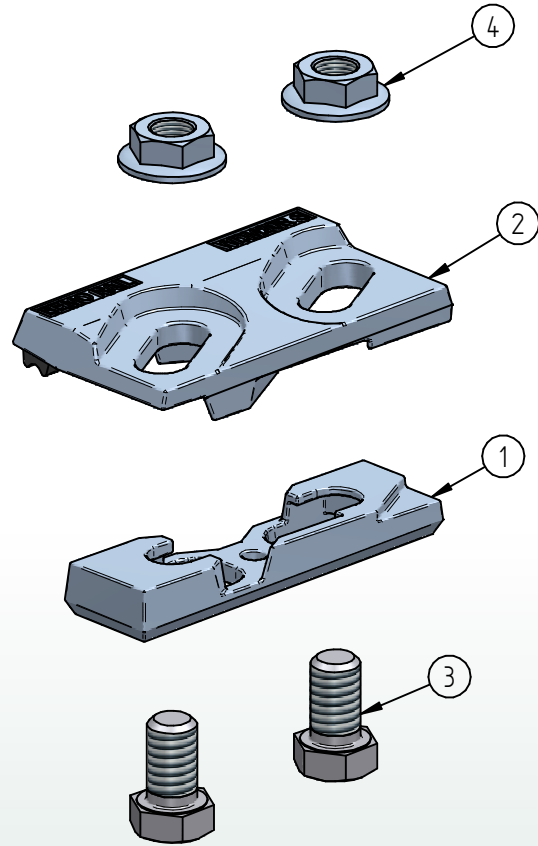
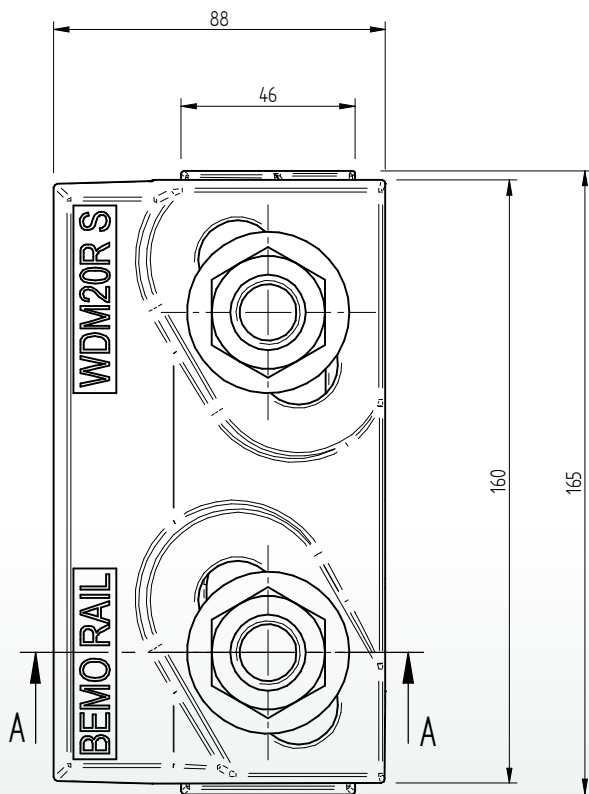
| | | | | | |
|------|---|----------------------|-------------------|---------|----------------|
| 4 | Low hexagon flange nut | Grade 8 HDG. | M20 ISO-metric | - | m = 0,082 [kg] |
| 3 | Hexagon head screw | 8.8 HDG. | M20x35 | DIN 933 | m = 0,161 [kg] |
| 2 | Weldable adjustable rail clamp cover L with rubber nose | S355J2* | WDM20RC L | | m = 1,471 [kg] |
| 1 | Weldable adjustable rail clamp base | S355J2 self coloured | WDM20RB | | m = 0,524 [kg] |
| Item | Description | Material | Type / Dimensions | Norm | Comments |

BEMO RAIL

Debbemeerweg 59
1749 DK Warmenhuizen
The Netherlands

Tel.: +31 (0)226 425300
E-mail: info@bemorail.com
www.bemorail.com

Adjustable weldable double rail clip WDM20R S



SECTION A-A Weldable baseplate

| Name | N |
|--------------|-----------|
| WDM20R S N10 | 10,0 [mm] |
| WDM20R S N12 | 12,0 [mm] |
| WDM20R S N14 | 14,0 [mm] |

* Standard preservation is hot dip galvanized.
Other preservation options in agreement

| | | | | | |
|------|---|----------------------|-------------------|---------|----------------|
| 4 | Low hexagon flange nut | Grade 8 HDG. | M20 ISO-metric | - | m = 0,082 [kg] |
| 3 | Hexagon head screw | 8.8 HDG. | M20x35 | DIN 933 | m = 0,161 [kg] |
| 2 | Weldable adjustable rail clamp cover S with rubber nose | S355J2* | WDM20RC S | | m = 1,407 [kg] |
| 1 | Weldable adjustable rail clamp base | S355J2 self coloured | WDM20RB | | m = 0,524 [kg] |
| Item | Description | Material | Type / Dimensions | Norm | Comments |