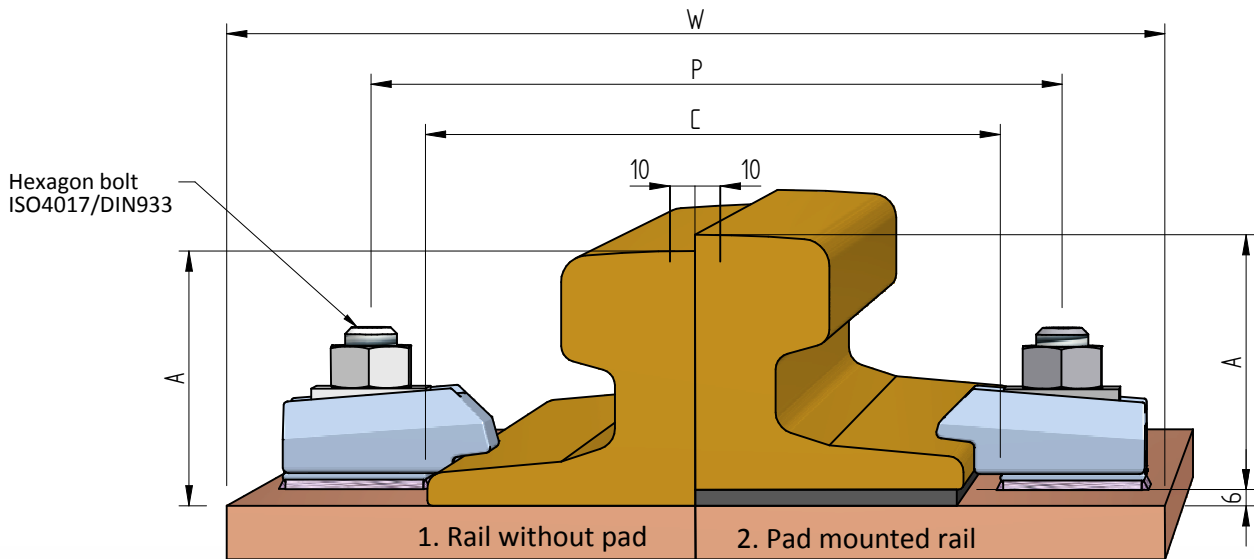


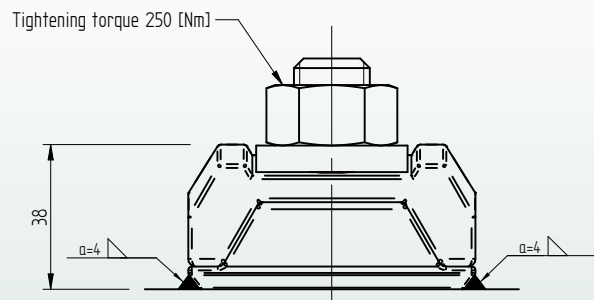
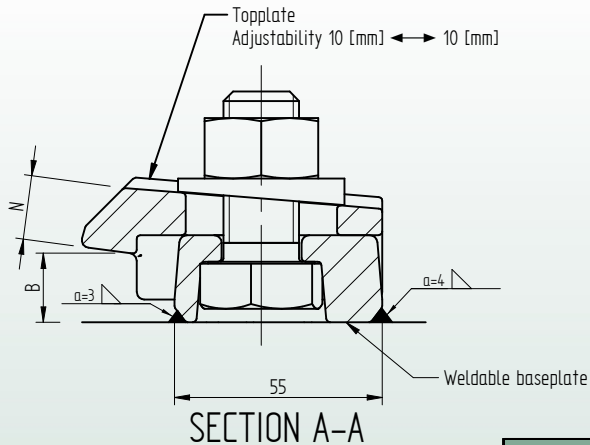
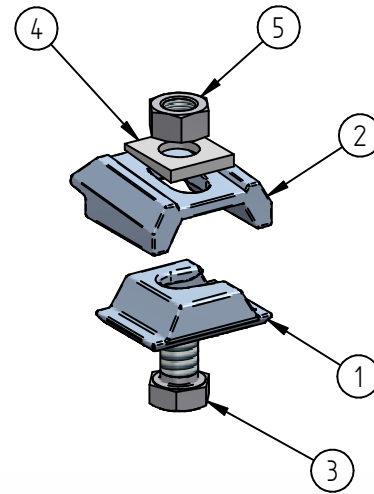
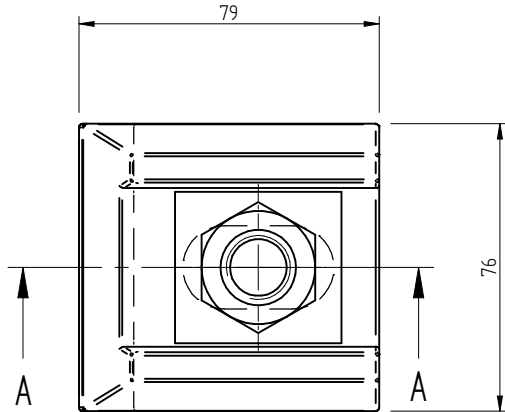
Adjustable weldable rail clip WM20



	Inside distance between baseplates			V	Rail base + 20	[mm]
	Distance between bolts M20			P	Rail base + 66	[mm]
	Minimum width sole plate			W	Rail base + 145	[mm]
	F [mm]	C [mm]	A [mm]	1. Rail without pad		2. Pad mounted rail
A75	200	75	85	WM20 N25	WM20 N19	
A100	200	100	95	WM20 N25	WM20 N19	
A120	220	120	105	WM20 N21	WM20 N15	
AS86	150	101,6	152,4	WM20 N19	WM20 N13	
PRI85r	152,4	101,6	152,4	WM20 N19	WM20 N13	
MRS51	127	64	127	WM20 N23	WM20 N17	
MRS67	132	76	146	WM20 N23	WM20 N17	
MRS87A	152,4	101,6	152,4	WM20 N19	WM20 N13	
ISCR70	120	70	120	WM20 N25	WM20 N19	
ISCR80	130	80	130	WM20 N25	WM20 N19	
ISCR100	150	100	150	WM20 N23	WM20 N17	
ISCR120	170	120	170	WM20 N21	WM20 N15	
QU70	120	70	120	WM20 N25	WM20 N19	
QU80	130	80	130	WM20 N25	WM20 N19	
QU100	150	100	150	WM20 N23	WM20 N17	
QU120	170	120	170	WM20 N21	WM20 N15	
49E1 (S49)	125	67	149	WM20 N25	WM20 N19	
S54	125	67	154	WM20 N25	WM20 N19	
46E3 (NP46)	120	72	142	WM20 N25	WM20 N19	
50E2 (EB50T)	140	67	151	WM20 N25	WM20 N19	
EB63	140	72	151	WM20 N21	WM20 N15	
54E1 (UIC54)	140	70	159	WM20 N25	WM20 N19	
60E1 (UIC60)	150	72	172	WM20 N25	WM20 N19	

Specification	Grade 8.8 Hex. bolt	Welding:	Inside Other 3 sides	Fillet welding ∇ 3 Fillet welding ∇ 4	
Maximum side load	125 [kN]	Fixing bolts:	Hexagon headscrew ISO4017 / DIN933		
Tightening torque	250 [Nm]	Steel grade 8.8 HDG			

Adjustable weldable rail clip WM20



* Standard preservation is hot dip galvanized.
Other preservation options in agreement

Name	N	B	Mass topplate
WM20 N13	13,0 [mm]	22,2 [mm]	0,621 [kg]
WM20 N15	15,0 [mm]	20,2 [mm]	0,635 [kg]
WM20 N17	17,0 [mm]	18,2 [mm]	0,648 [kg]
WM20 N19	19,0 [mm]	16,2 [mm]	0,661 [kg]
WM20 N21	21,0 [mm]	14,2 [mm]	0,672 [kg]
WM20 N23	23,0 [mm]	12,2 [mm]	0,684 [kg]
WM20 N25	25,0 [mm]	10,2 [mm]	0,694 [kg]

5	Hexagon nut	8 HDG.	M20	DIN 934	
4	Square taper washer	St. HDG.	M20	DIN 434	8%
3	Hexagon head screw	8.8 HDG.	M20x45	DIN 933	
2	Topplate weldable railclip WM20	S235JR*	WM20		m = table topplate
1	Baseplate weldable railclip WM20	S355J0	WM20B H23 self coulered		m = 0,322 [kg]
Item	Discription	Material	Type / Dimensions	Norm	Comments