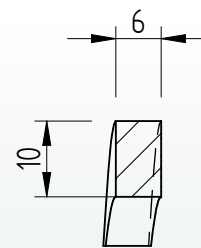
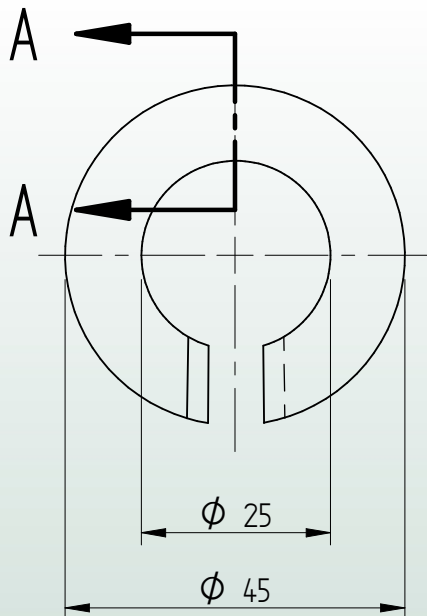
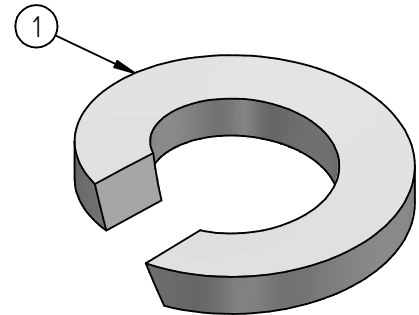


Standard fastening material

Spring washer Fe7



SECTION A-A



* Standard preservation is self-coloured.

Other preservation and grade options in agreement.

1	Spring washer / Fe7	38Si7 / 65Mn*	Fe7 / 45/25x14		m = 0,047 [kg]
Item	Description	Material	Type / Dimensions	Norm	Comments