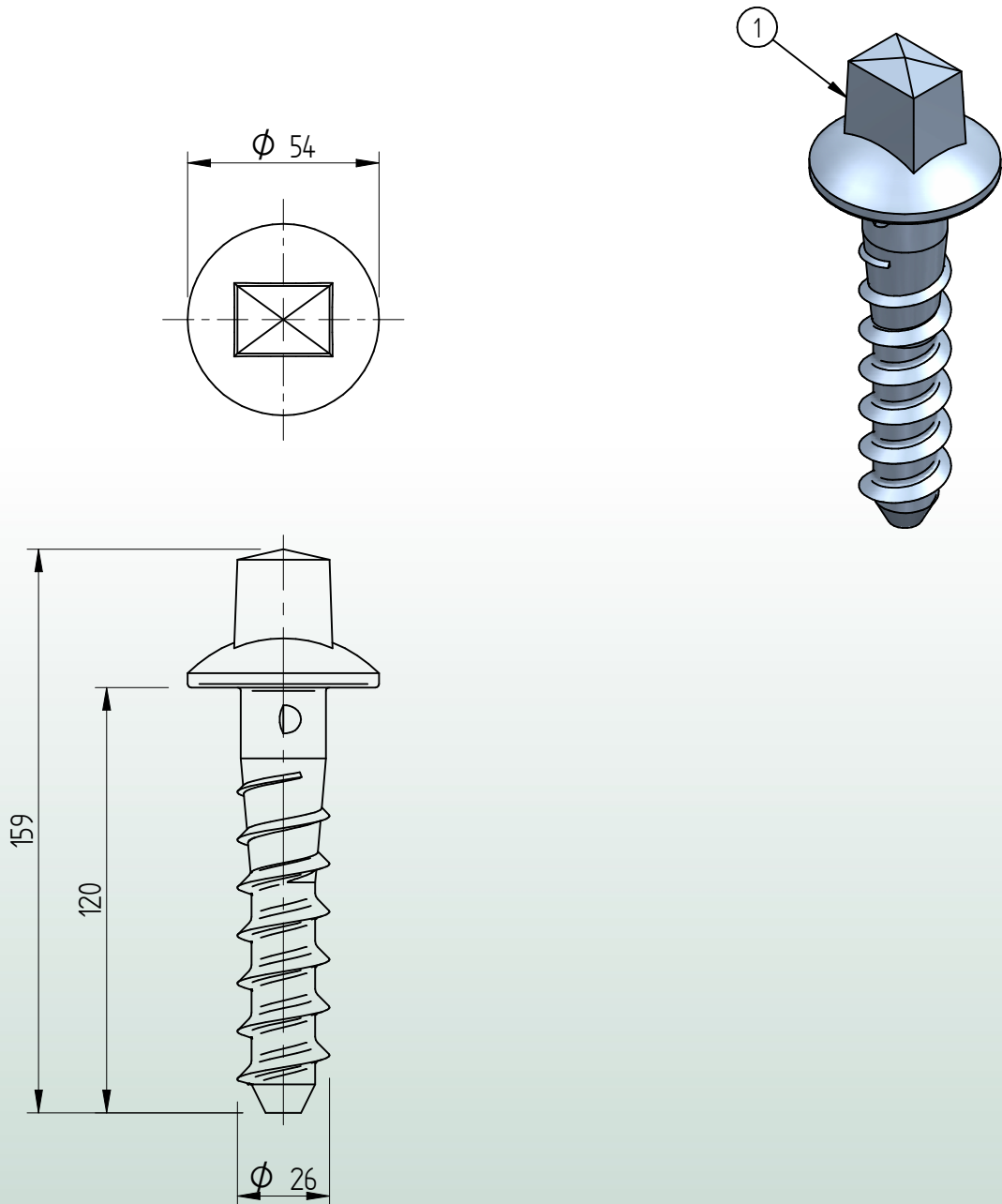


Standard fastening material

Sleeper screw Ss 6/120



* Standard preservation is hot dip galvanized and standard material grade is 4.6.
Other preservation and grade options in agreement.

1	Sleeper screw / Ss6	*	SS6 / $\phi 26 \times 120$		m = 0,630 [kg]
Item	Description	Material	Type / Dimensions	Norm	Comments

BEMO RAIL 

Debbemeerweg 59
1749 DK Warmenhuizen
The Netherlands

Tel.: +31 (0)226 425300
E-mail: info@bemorail.com
www.bemorail.com