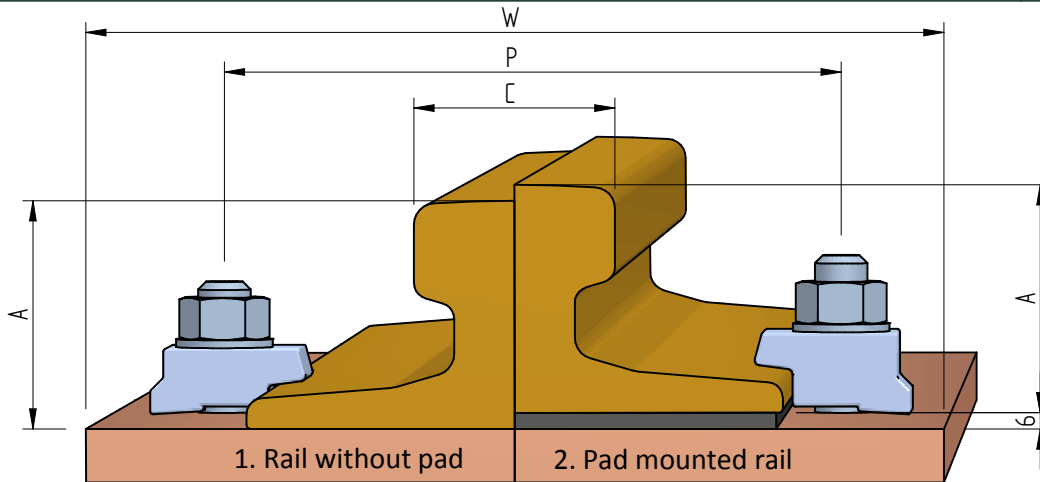
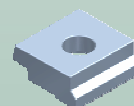


# Standard rail clip FM20

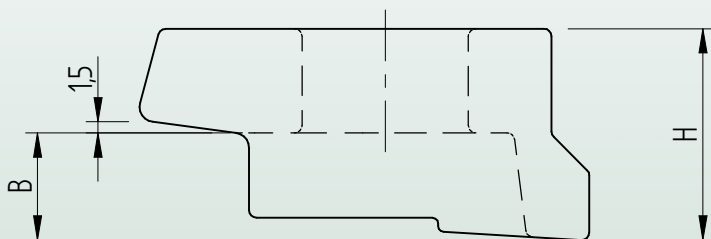
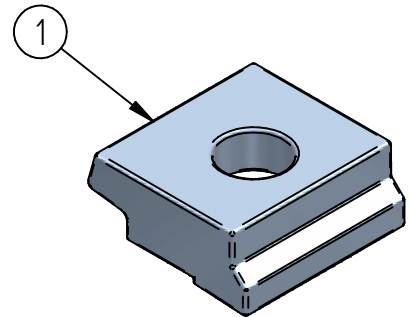
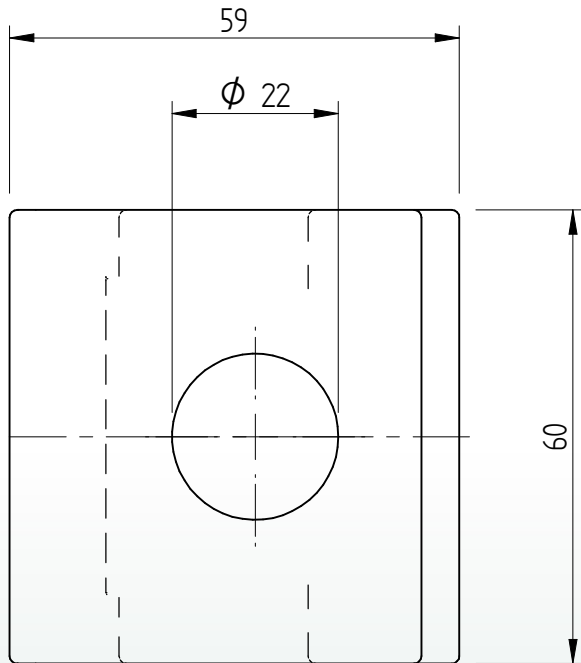


	Distance between stud M20			P	Rail base +36	[mm]
	Minimum assembly width clips			W	Rail base +90	[mm]
	Nominal width sole plate with anchorbolts			W	Rail base +120	[mm]
	F [mm]	C [mm]	A [mm]	1. Rail without pad		2. Pad mounted rail
A55	150	55	65	FM20 H22	FM20 H28	
A65	175	65	75	FM20 H22	FM20 H28	
A75	200	75	85	FM20 H25	FM20 H31	
A100	200	100	95	FM20 H25	FM20 H31	
A120	220	120	105	FM20 H25	FM20 H31	
AS86	150	101,6	152,4	FM20 H31	FM20 H37	
PRI85r	152,4	101,6	152,4	FM20 H31	FM20 H37	
MRS51	127	64	127	FM20 H28	FM20 H34	
MRS67	132	76	146	FM20 H25	FM20 H31	
MRS73	146	70	157	FM20 H31	FM20 H37	
MRS87A	152,4	101,6	152,4	FM20 H31	FM20 H37	
BSC101	165	100	155	FM20 H31	FM20 H37	
ISCR70	120	70	120	FM20 H25	FM20 H31	
ISCR80	130	80	130	FM20 H25	FM20 H31	
ISCR100	150	100	150	FM20 H25	FM20 H31	
ISCR120	170	120	170	FM20 H28	FM20 H34	
QU70	120	70	120	FM20 H25	FM20 H31	
QU80	130	80	130	FM20 H25	FM20 H31	
QU100	150	100	150	FM20 H25	FM20 H31	
QU120	170	120	170	FM20 H28	FM20 H34	
30E1 (S30)	108	60	108	FM20 H22	FM20 H28	
33E1 (S33)	105	58	134	FM20 H22	FM20 H28	
40E1 (S41-R14)	125	67	138	FM20 H22	FM20 H28	
41E1 (S41-R10)	125	67	138	FM20 H22	FM20 H28	
49E1 (S49)	125	67	149	FM20 H25	FM20 H31	
S54	125	67	154	FM20 H25	FM20 H31	
46E3 (NP46)	120	72	142	FM20 H25	FM20 H31	
50E2 (EB50T)	140	67	151	FM20 H25	FM20 H31	
EB63	140	72	151	FM20 H28	FM20 H34	
54E1 (UIC54)	140	70	159	FM20 H25	FM20 H31	
60E1 (UIC60)	150	72	172	FM20 H25	FM20 H31	
ASCE85	131,8	65,1	131,8	FM20 H22	FM20 H28	

Specification	Grade 5.8 Stud bolt	Grade 8.8 Stud bolt
Maximum side load	46 [kN]	75 [kN]
Tightening torque	240 [Nm]	390 [Nm]



# Standard rail clip FM20



Name	B	H	Mass
FM20 H22	8,0 [mm]	22,0 [mm]	0,384 [kg]
FM20 H25	11,0 [mm]	25,0 [mm]	0,410 [kg]
FM20 H28	14,0 [mm]	28,0 [mm]	0,436 [kg]
FM20 H31	17,0 [mm]	31,0 [mm]	0,458 [kg]
FM20 H34	20,0 [mm]	34,0 [mm]	0,481 [kg]
FM20 H37	23,0 [mm]	37,0 [mm]	0,503 [kg]

\* Standard preservation is hot dip galvanized  
Other preservation options in agreement

Item	Description	Material	Type / Dimensions	Norm	Comments
1	Railclip	S235JR*	FM20		