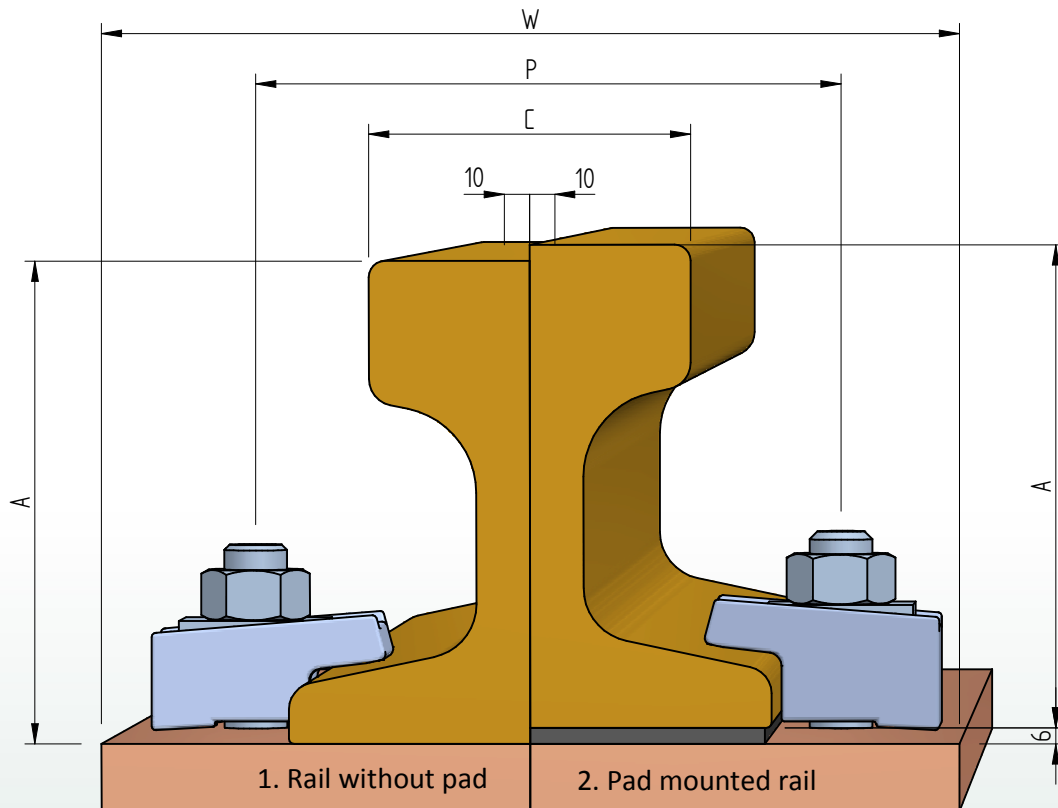


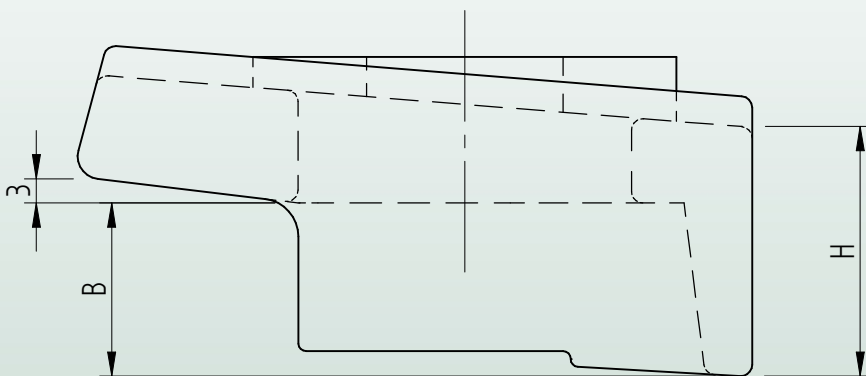
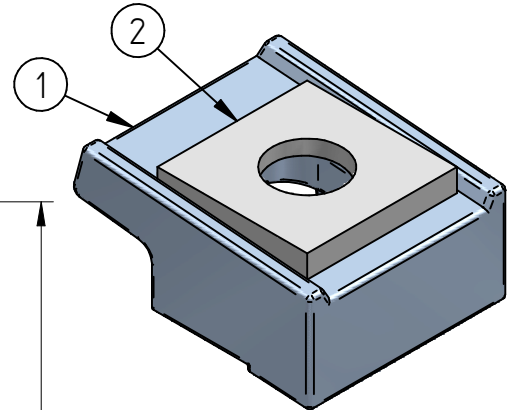
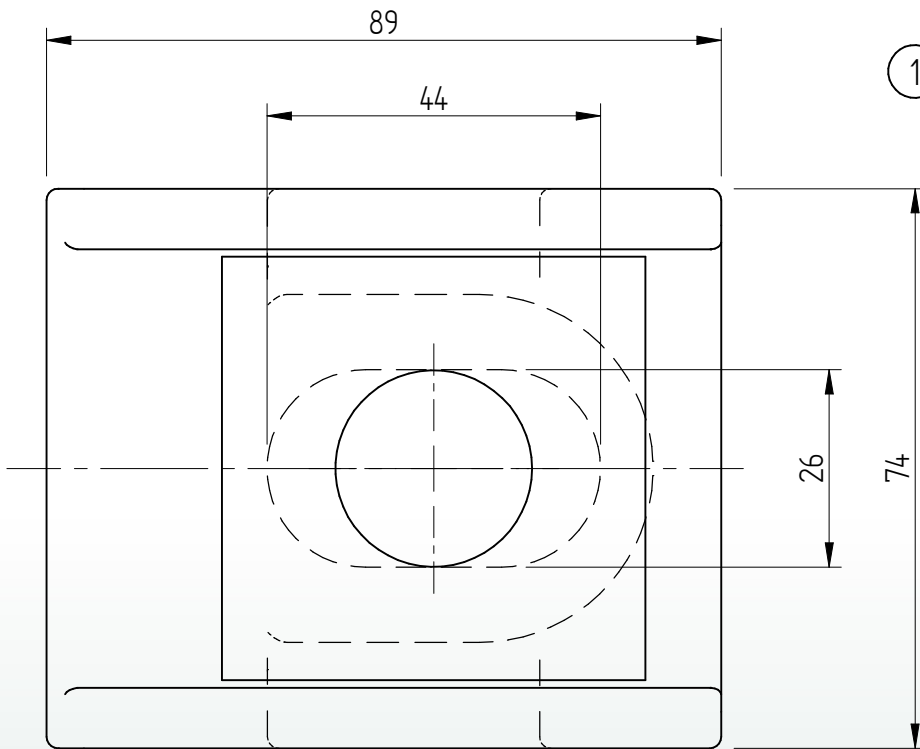
Standard rail clip AM24



	Distance between stud M24			P	Rail base + 44	[mm]
	Minimum assembly width clips			W	Rail base + 140	[mm]
	Nominal width sole plate with anchorbolts			W	Rail base + 140	[mm]
	F [mm]	C [mm]	A [mm]	1. Rail without pad		2. Pad mounted rail
A120	220	120	105	AM24 H24		AM24 H30
A150	220	150	150	AM24 H27		AM24 H33
AS86	150	101,6	152,4	AM24 H27		AM24 H33
PRI85r	152,4	101,6	152,4	AM24 H27		AM24 H33
MRS87A	152,4	101,6	152,4	AM24 H27		AM24 H33
MRS125	180	120	180	AM24 H33		AM24 H39
BSC101	165	100	155	AM24 H27		AM24 H33
ISCR100	150	100	150	AM24 H24		AM24 H30
ISCR120	170	120	170	AM24 H27		AM24 H33
ISCR140	170	140	170	AM24 H33		AM24 H39
QU100	150	100	150	AM24 H24		AM24 H30
QU120	170	120	170	AM24 H27		AM24 H33

Specification	Grade 5.8 Stud bolt	Grade 8.8 Stud bolt	
Maximum side load	77 [kN]	125 [kN]	
Tightening torque	370 [Nm]	600 [Nm]	

Standard rail clip AM24



* Standard preservation is hot dip galvanized
Other preservation options in agreement

Name	B	H	Mass
AM24 H24	14,0 [mm]	24,0 [mm]	0,808 [kg]
AM24 H27	17,0 [mm]	27,0 [mm]	0,857 [kg]
AM24 H30	20,0 [mm]	30,0 [mm]	0,906 [kg]
AM24 H33	23,0 [mm]	33,0 [mm]	0,953 [kg]
AM24 H36	26,0 [mm]	36,0 [mm]	0,999 [kg]
AM24 H39	29,0 [mm]	39,0 [mm]	1,044 [kg]

2	Square taper washer	St. HDG.	M24	DIN 434	8%
1	Adjustable railclip	S235JR *	AM24		-
Item	Description	Material	Type / Dimensions	Norm	Comments